



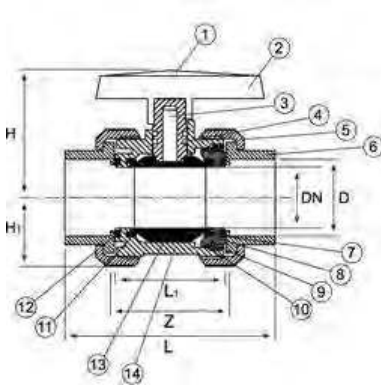
PVC VANA, RAKOR VE EK PARÇALARI
PVC VALVES UNIONS AND OTHER PARTS



U-PVC Küresel Su Vanaları - U-PVC Ball Valves



NO	Parça/Part	Hammadde Material	Adet Q'ty	NO	Parça/Part	Hammadde Material	Adet Q'ty
1	Kol Kapağı/Handle Cover	U-PVC	1	8	Sıkışt.Parç.Yat./Seat Carrier	U-PVC	1
2	Kol/Handle	ABS	1	9	Küre Dayama/Union Bush	U-PVC	1
3	Pim/Stem	U-PVC	1	10	Sıkışt.Parç.O-Ringi/Carrier O-Ring	EPDM	1
4	Pim O-Ringi/Stem O-Ring	EPDM	2	11	Küre Contası/Ball Seals	HDPE	2
5	Somun/Union Nut	U-PVC	2	12	Conta Altı O-Ring/Backing Seals	EPDM	2
6	Bağ.Parçası/End Connector	U-PVC	2	13	Küre/Ball	U-PVC	1
7	Gövde O-Ringi/Body O-Ring	EPDM	2	14	Gövde/Body	U-PVC	1

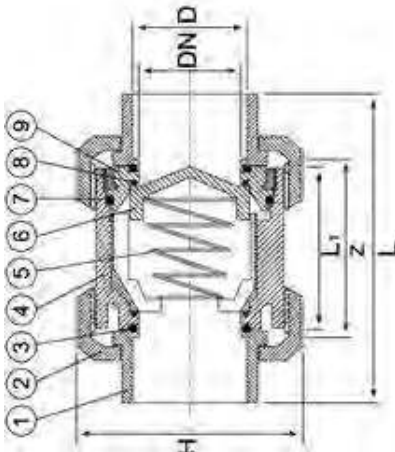


Kod	Inch	Çap	DN	Z	L1	L	H	H1	Basınc	Koli Adet	Kg/Adet	Fiyat €
Code		Diameter	mm	mm	mm	mm	mm	mm	PN	Pcs/Box	Kg/Pcs	Price €
20200020	1/2"	20	15	52	45	84	50	27	16	55	0,164	5,20
20200025	3/4"	25	20	58	50	95	60	31	16	75	0,284	5,50
20200032	1"	32	25	61	53	105	61	32	16	60	0,240	6,50
20200040	1 1/4"	40	32	73	66	125	80	41	16	30	0,464	7,00
20200050	1 1/2"	50	40	82	75	143	86	46	16	20	0,656	8,20
20200063	2"	63	50	97	89	172	105	56	16	12	1,162	10,80
20200075	2 1/2"	75	65	108	99	196	116	65	16	5	1,474	28,00
20200090	3"	90	80	139	126	241	138	92	16	4	3,608	37,00
20200110	4"	110	100	165	153	287	176	105	16	2	5,016	55,00

U-PVC Yaylı Çekvalfler - U-PVC Spring Checkvalves



NO	Parça/Part	Hammadde Material	Adet Q'ty	NO	Parça/Part	Hammadde Material	Adet Q'ty
1	Boru Bağlantı/End Connector	U-PVC	2	6	Klape/Valve	U-PVC	1
2	Somun /Union Nut	U-PVC	2	7	Sıkışt.Parç.O-Ringi/Carrier O-Ring	EPDM	1
3	Gövde O-Ringi/Body O-Ring	EPDM	2	10	Klape O-Ringi/Valve O-Ring	EPDM	1
4	Gövde/Body	U-PVC	1	11	Sıkışt.Parçası/Carrier	U-PVC	1
5	Yay/Spring	INOX	1				



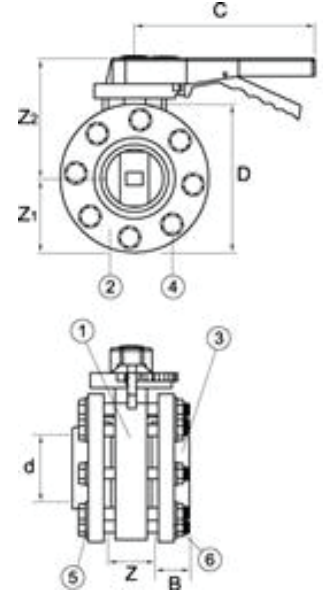
Kod	Inch	Çap	DN	H	L	L1	Z	Basınc	Koli Adet	Kg/Adet	Fiyat €
Code		Diameter	mm	mm	mm	mm	mm	PN	Pcs/Box	Kg/Pcs	Price €
21400020	1/2"	20	16	54	84	45	52	16	70	0,096	5,25
21400025	3/4"	25	20	62	95	50	58	16	75	0,160	5,75
21400032	1"	32	25	64	105	53	61	16	60	0,190	7,15
21400040	1 1/4"	40	32	82	125	66	73	16	32	0,450	7,85
21400050	1 1/2"	50	40	92	143	75	82	16	25	0,520	8,85
21400063	2"	63	50	112	172	89	97	16	13	0,924	11,75
21400075	2 1/2"	75	65	130	196	99	108	16	7	1,200	27,50
21400090	3"	90	80	181	241	126	139	10	4	3,042	30,50
21400110	4"	110	100	210	287	153	165	10	2	4,200	53,50

U-PVC FLANŞLI KELEBEK VANA (TAKIM) - U-PVC BUTTERFLY VALVE (WITH FLANGE)



NO	Parça/Part	Hammadde Material	Adet Q'ty	NO	Parça/Part	Hammadde Material	Adet Q'ty
1	Kelebek Vana Göv./Butterfly Valve	U-PVC	1	4	Civata/Bolt	Brass Coated	8
2	Flanş/Flange	U-PVC	2	5	Pul/Washer	Brass Coated	16
3	Kole/Flange Adaptor	U-PVC	2	6	Somun/Union	Brass Coated	8

Kod	Inch	Çap	D	Z	Z1	Z2	B	C	Basınç	Koli Adet	Kg/Adet	Fiyat €
Code		Diameter	mm	mm	mm	mm	mm	mm	PN	Pcs/Box	Kg/Pcs	Price €
20000063	2"	63	165	50	83	140	38	190	10	1	3,026	60,00
20000075	2 1/2"	75	185	51	92	134	43	190	10	1	3,588	65,00
20000090	3"	90	200	57	100	165	50	238	10	1	5,702	72,00
200000110	4"	110	230	64	115	185	60	240	10	1	6,806	81,00
200000125	4 1/2"	125	258	78	129	230	68	320	10	1	9,698	95,00
200000140	5"	140	258	73	129	230	76	320	10	1	10,114	95,00
200000160	6"	160	286	77	143	248	85	320	10	1	9,316	139,00
200000200	7"	200	342	102	171	289	105	320	10	1	17,550	195,00
200000225	8"	225	342	74	171	289	119	320	10	1	16,500	199,00

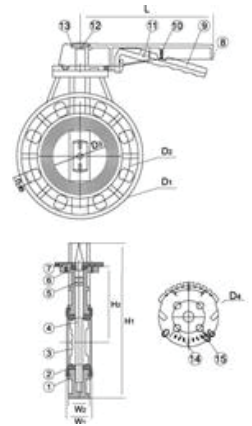


U-PVC KELEBEK VANA (ÇIPLAK) - U-PVC BUTTERFLY VALVE (WITHOUT FLANGE)

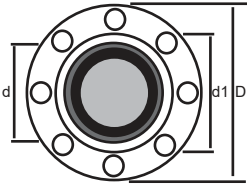
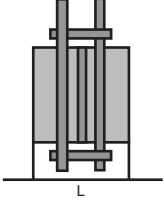


NO	Parça/Part	Hammadde Material	Adet Q'ty	NO	Parça/Part	Hammadde Material	Adet Q'ty
1	Gövde/Body	U-PVC	1	9	Küçük Kol/Small Handle	ABS	1
2	Conta Yuvası/Seat Seal	EPDM	1	10	Yay/Spring	SUS304	1
3	Kelebek/Gate	U-PVC	1	11	Pim/Pin	SUS304	1
4	Pim/Stem	SUS410	1	12	Civata/Bolt	SUS304	1
5	Conta/O-Ring	EPDM	2	13	Kol Kapağı/Handle Cap	ABS	1
6	Pul/Washer	ABS	1	14	Göm. Civata/Insered Bolt	SUS304	4
7	Kilit Plakası/Locking Plate	U-PVC	1	15	Kalın Körtapa/Bolt Cap	U-PVC	4
8	Büyük Kol/Large Handle	ABS	1				

Kod	Inch	Çap	D1	D2	D3	D4	L	H1	H2	W1	W2	Basınç	Koli Adet	Kg/Adet	Fiyat €
Code		Diameter	mm	mm	mm	mm	mm	mm	mm	mm	mm	PN	Pcs/Box	Kg/Pcs	Price €
20100063	2"	63	160	120	56	100	190	223	98	44	32	10	1	1,124	41,00
20100075	2 1/2"	75	180	145	68	100	190	246	112	32	30	10	1	1,350	45,00
20100090	3"	90	196	156	85	100	240	284	133	51	36	10	1	1,742	48,00
20100110	4"	110	228	183	103	100	240	319	155	55	44	10	1	2,274	55,00
20100250	4 1/2"	125	257	211	130	139	310	368	170	64	55	10	1	4,228	62,00
20100140	5"	140	257	211	130	139	310	368	170	67	55	10	1	4,228	62,00
20100160	6"	160	285	239	154	139	310	398	187	72	56	10	1	4,842	79,00
20100200	7"	200	343	292	199	139	310	469	229	90	72	10	1	7,642	132,00
20100225	8"	225	343	292	199	139	310	469	229	90	72	10	1	7,642	132,00

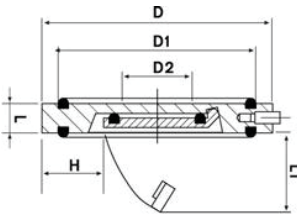


U-PVC ÇALPARALI ÇEKVALF (TAKIM) - U-PVC WAFER CHECK VALVE (WITH FLANGE)



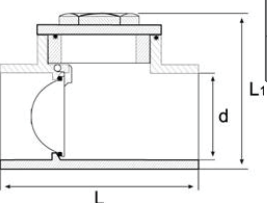
Kod	Inch	Çap	DN	D1	D	L	Basınç	Koli Adet	Kg/Adet	Fiyat €
Code		Diameter	mm	mm	mm	mm	PN	Pcs/Box	Kg/Pcs	Price €
22100090	3"	90	80	80	200	126	10	1	3,712	48,00
22100110	4"	110	100	100	220	155	10	1	4,564	58,00
22100125	4½"	125	100	100	250	173	10	1	5,556	63,00
22100140	5"	140	125	125	250	182	10	1	5,774	73,00
22100160	6"	160	150	150	285	209	10	1	7,474	83,00
22100200	7"	200	200	200	340	253	10	1	10,074	124,00
22100225	8"	225	200	200	340	285	10	1	10,162	144,00
22100250	9"	250	250	250	395	375	10	1	20,608	304,00
22100280	10"	280	250	250	395	375	10	1	20,512	378,00
22100315	12"	315	300	300	445	415	10	1	25,100	531,00
22100400	16"	400					10	1		1.200,00

U-PVC ÇALPARALI ÇEKVALF (ÇIPLAK) - U-PVC WAFER CHECK VALVE (WITHOUT FLANGE)



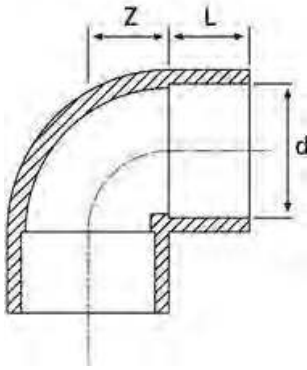
Kod	Inch	Çap	DN	D	D1	D2	L1	L	Basınç	Koli Adet	Kg/Adet	Fiyat €
Code		Diameter	mm	mm	mm	mm	mm	mm	PN	Pcs/Box	Kg/Pcs	Price €
22101090	3"	90	80	125		55	58	16	10	5	0,170	28,75
22101110	4"	110	100	184		88	70	19	10	5	0,274	33,85
22101125	4½"	125	100	213		106	95	21	10	5	0,400	38,80
22101140	5"	140	125	213		106	95	21	10	5	0,400	44,40
22101160	6"	160	150	251		130	100	23	10	5	0,650	50,00
22101200	7"	200	200	280		150	140	27	10	5	0,825	62,00
22101225	8"	225	200	280		150	140	27	10	5	1,410	71,00
22101250	9"	250	250	330	312	192	180	40	10	5	3,500	135,00
22101280	10"	280	250	330	312	192	180	40	10	5	3,500	203,00
22101315	12"	315	300	380	363	227	215	45	10	5	5,300	275,00
22101400	16"	400	400	575	446	380	215	50	10	5		600,00

U-PVC T ÇEKVALF - U-PVC T CHECK VALVE



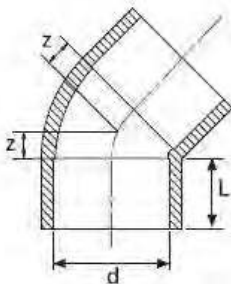
Kod	R	d	DN	L	L1	Basınç	Koli Adet	Kg/Adet	Fiyat €
Code	Inch	mm	mm	mm	mm	PN	Pcs/Box	Kg/Pcs	Price €
21800050	1 ½"	50	40	124	96	10	40	0,304	5,50
21800063	2"	63	50	144	112	10	22	0,464	7,00

U-PVC 90° Y.M. DİRSEK - U-PVC 90° ELBOW



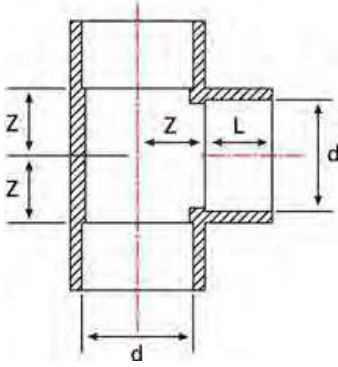
Kod	Inch	Çap	DN	L	Z	Basınç	Koli Adet	Kg/Adet	Fiyat €
Code		Diameter	mm	mm	mm	PN	Pcs/Box	Kg/Pcs	Price €
50000020	1/2"	20	15	18	11	16	400	0,018	0,23
50000025	3/4"	25	20	20	14	16	200	0,026	0,28
50000032	1"	32	25	22	17,6	16	100	0,040	0,42
50000040	1 1/4"	40	32	26	23	16	60	0,080	0,77
50000050	1 1/2"	50	40	30	31	16	80	0,146	0,78
50000063	2"	63	50	38	33	16	60	0,226	0,98
50000075	2 1/2"	75	65	44	40	16	40	0,378	1,88
50000090	3"	90	80	52	46	16	25	0,668	2,60
50000110	4"	110	100	60	56	16	15	0,962	4,40
50000125	4 1/2"	125	110	76	63	16	8	1,484	6,55
50000140	5"	140	125	76	75	16	6	2,118	9,70
50000160	6"	160	150	85	82	16	4	2,300	12,55
50000200	7"	200	175	109	109	10	2	4,510	30,55
50000225	8"	225	200	120	114	10	1	4,560	44,50
50000250	9"	250	250	134	131	10	1	7,106	112,00
50000280	10"	280	250	149	210	10	1	9,150	175,00
50000315	12"	315	300	166	237	10	1	13,100	198,00

U-PVC 45° Y.M. DİRSEK - U-PVC 45° ELBOW



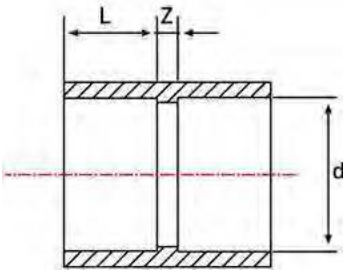
Kod	Inch	Çap	DN	L	Z	Basınç	Koli Adet	Kg/Adet	Fiyat €
Code		Diameter	mm	mm	mm	PN	Pcs/Box	Kg/Pcs	Price €
50200020	1/2"	20	15	16	5	16	400	0,016	0,23
50200025	3/4"	25	20	19	6	16	200	0,026	0,27
50200032	1"	32	25	22	8	16	100	0,046	0,41
50200040	1 1/4"	40	32	26	10	16	75	0,068	0,72
50200050	1 1/2"	50	40	31	12	16	80	0,114	0,75
50200063	2"	63	50	38	14	16	50	0,218	0,89
50200075	2 1/2"	75	65	44	17	16	40	0,344	1,79
50200090	3"	90	80	51	20	16	25	0,530	2,42
50200110	4"	110	100	61	25	16	18	0,872	4,25
50200125	4 1/2"	125	110	69	28	16	8	1,324	6,25
50200140	5"	140	125	76	32	16	6	1,266	8,95
50200160	6"	160	150	86	36	16	5	1,924	12,50
50200200	7"	200	175	106	43	10	2	3,584	26,80
50200225	8"	225	200	119	49	10	2	3,890	44,00
50200250	9"	250	250	132	60	10	2	5,474	96,00
50200280	10"	280	250	147	66	10	1	7,510	160,00
50200315	12"	315	300	165	74	10	1	9,960	171,00

U-PVC Y.M. TEE - U-PVC TEE



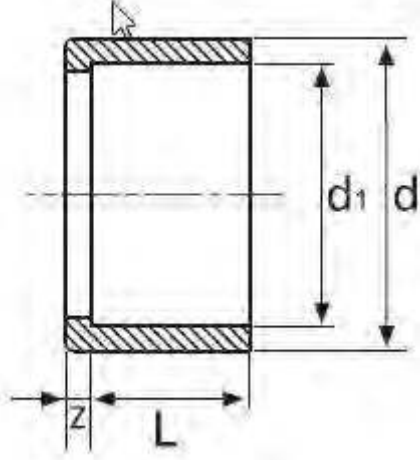
Kod	Inch	Çap	DN	L	Z	Basınc	Koli Adet	Kg/Adet	Fiyat €
Code		Diameter	mm	mm	mm	PN	Pcs/Box	Kg/Pcs	Price €
50400020	1/2"	20	15	16	11	16	200	0,028	0,28
50400025	3/4"	25	20	18,5	14	16	100	0,040	0,32
50400032	1"	32	25	22	18	16	60	0,070	0,65
50400040	1 1/4"	40	32	26,6	23	16	90	0,116	0,87
50400050	1 1/2"	50	40	31	28	16	50	0,225	0,89
50400063	2"	63	50	38	34	16	50	0,348	1,25
50400075	2 1/2"	75	65	44,7	40	16	30	0,558	2,20
50400090	3"	90	80	51	46	16	18	0,924	3,40
50400110	4"	110	100	61	55	16	10	1,444	5,35
50400125	4 1/2"	125	110	69	67	16	6	2,092	8,05
50400140	5"	140	125	76	71	16	4	2,180	13,00
50400160	6"	160	150	86	86	16	3	3,302	17,90
50400200	7"	200	175	106	101	10	1	4,572	32,00
50400225	8"	225	200	118	114	10	1	4,966	60,00
50400250	9"	250	250	131	132	10	1	8,920	124,00
50400280	10"	280	250	146	152	10	1	11,300	190,00
50400315	12"	315	300	163	168	10	1	16,450	220,50

U-PVC Y.M. MANŞON - U-PVC DOUBLE SOCKET



Kod	Inch	Çap	DN	L	Z	Basınc	Koli Adet	Kg/Adet	Fiyat €
Code		Diameter	mm	mm	mm	PN	Pcs/Box	Kg/Pcs	Price €
51100020	1/2"	20	15	16	3	16	480	0,012	0,17
51100025	3/4"	25	20	19	3	16	250	0,022	0,21
51100032	1"	32	25	22	3	16	125	0,034	0,24
51100040	1 1/4"	40	32	26	3	16	140	0,054	0,38
51100050	1 1/2"	50	40	31	3	16	70	0,080	0,39
51100063	2"	63	50	38	3	16	120	0,114	0,61
51100075	2 1/2"	75	65	44	4	16	90	0,236	1,24
51100090	3"	90	80	51	5	16	40	0,264	1,56
51100110	4"	110	100	61	6	16	28	0,476	2,64
51100125	4 1/2"	125	110	69	7	16	22	0,868	3,27
51100140	5"	140	125	76	7	16	16	0,958	3,86
51100160	6"	160	150	86	8	16	12	1,622	5,78
51100200	7"	200	175	106	9	10	3	1,776	13,00
51100225	8"	225	200	119	10	10	2	2,220	20,85
51100250	9"	250	250	134	16	10	1	3,900	35,60
51100280	10"	280	250	149	16	10	1	7,600	56,36
51100315	12"	315	300	166	16	10	1	6,980	69,90

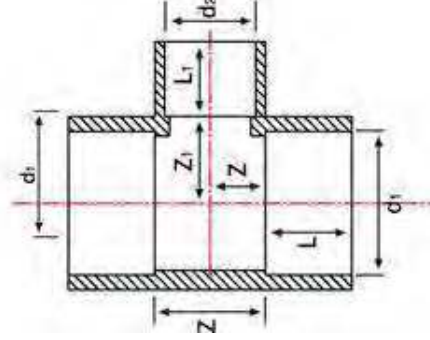
U-PVC Y. M. REDÜKSİYON - U-PVC REDUCER



Kod	Çap		L	Z	Basınç	Koli Adet	Kg/Adet	Fiyat €
Code	d	d1	mm	mm	PN	Pcs/Box	Kg/Pcs	Price €
50900032025	32	25	17	5	16	500	0,008	0,11
50900040032	40	32	20	6	16	300	0,016	0,14
50900050032	50	32	23	9	16	200	0,036	0,35
50900050040	50	40	25	6	16	200	0,030	0,29
50900063032	63	32	22	16	16	100	0,054	0,62
50900063050	63	50	30	8	16	100	0,060	0,45
50900075050	75	50	31	13	16	60	0,098	0,65
50900075063	75	63	36	8	16	60	0,076	0,44
50900090063	90	63	38	13	16	70	0,168	0,77
50900090075	90	75	43	8	16	70	0,136	0,64
50900110063	110	63	38	23	16	40	0,260	1,89
50900110075	110	75	44	17	16	40	0,268	1,77
50900110090	110	90	50	10	16	40	0,254	1,51
50900125075	125	75	43	26	16	25	0,425	3,05
50900125090	125	90	51	18	16	25	0,354	2,40
50900125110	125	110	61	10	16	25	0,256	1,37
50900140090	140	90	52	26	16	35	0,472	3,75
50900140110	140	110	61	15	16	33	0,420	2,49
50900140125	140	125	67	9	16	25	0,340	1,67
50900160090	160	90	51	35	16	12	0,662	5,70
50900160110	160	110	62	25	16	15	0,706	4,10
50900160140	160	140	72	15	16	15	0,536	2,20
50900200160	200	160	94	20	16	12	1,246	6,25

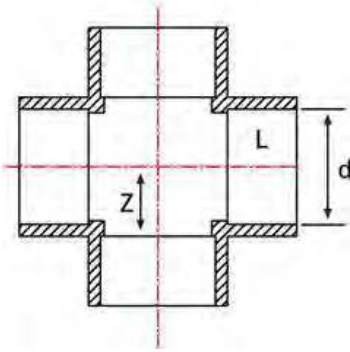


U-PVC Y.M. İNEGAL TEE - U-PVC REDUCING TEE



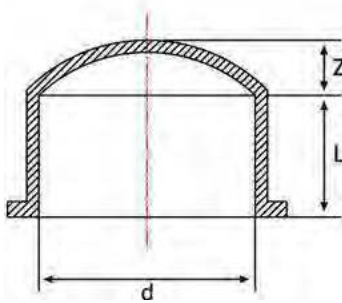
Kod	Çap		DN1	DN2	L	L1	Z	Z1	Basınç	Koli Adet	Kg/Adet	Fiyat €
Code	d1	d2	mm	mm	mm	mm	mm	mm	PN	Pcs/Box	Kg/Pcs	Price €
50800032050	32	50	25	40	22	31	28	28	16	80	0,106	1,89
50800050032	50	32	40	25	31	25	28	28	16	75	0,120	1,20
50800063032	63	32	50	25	38	23	35	34	16	30	0,122	2,39
50800063050	63	50	50	40	31	31	35	34	16	30	0,286	2,20
50800075063	75	63	65	50	44	38	40	41	16	30	0,446	3,10
50800090063	90	63	80	50	51	39	46	55	16	35	0,618	4,35
50800090075	90	75	80	65	51	44	46	55	16	25	0,642	4,50
50800110063	110	63	100	50	60	39	56	65	16	22	0,894	6,00
50800110075	110	75	100	65	61	45	56	65	16	10	0,872	6,20
50800110090	110	90	100	80	61	51	56	65	16	11	0,938	6,50
50800125063	125	63	110	50	68	38	64	75	16	10	1,152	12,92
50800125075	125	75	110	65	69	43	64	83	16	10	1,654	12,76
50800125090	125	90	110	80	69	51	64	75	16	8	1,518	12,12
50800125110	125	110	110	100	68	61	64	75	16	8	1,560	10,75
50800140063	140	63	125	50	75	38	72	97	16	8	2,462	18,09
50800140075	140	75	125	65	75	44	72	91	16	6	2,470	17,97
50800140090	140	90	125	80	75	50	72	75	16	6	2,456	17,71
50800140110	140	110	125	100	75	61	72	74	16	6	2,202	16,20
50800160063	160	63	150	50	86	38	81	105	16	5	2,638	21,89
50800160075	160	75	150	65	86	44	81	99	16	5	2,646	20,64
50800160090	160	90	150	80	86	50	81	93	16	5	2,632	20,00
50800160110	160	110	150	100	86	61	81	81	16	5	2,378	19,00
50800160125	160	125	150	110	86	67	81	105	16	5	4,178	21,77

U-PVC Y.M. KRUIVA (İSTAVROZ) - U-PVC CROSS



Kod	Inch	Çap	DN	L	Z	Basınc	Koli Adet	Kg/Adet	Fiyat €
Code		Diameter	mm	mm	mm	PN	Pcs/Box	Kg/Pcs	Price €
50600032	1"	32	25	23	17	16	110	0,092	2,50
50600040	1 ¼"	40	32	29	23	16	70	0,140	2,85
50600050	1 ½"	50	40	33	28	16	35	0,220	3,30
50600063	2"	63	50	38	34	16	40	0,376	5,50
50600075	2 ½"	75	65	44	41	16	20	0,550	6,50
50600090	3"	90	80	51	46	16	12	0,964	8,20
50600110	4"	110	100	61	55	16	7	1,626	16,00
50600125	4 ½"	125	110	69	67	16	4	2,350	25,90
50600140	5"	140	125	76	71	16	4	2,522	40,50
50600160	6"	160	150	86	86	16	3	3,950	52,10
50600200	7"	200	175	106	101	10	1	5,028	115,00
50600225	8"	225	200	118	114	10	1	5,910	130,80
50600250	9"	250	250	131	132	10	1	-	210,20
50600280	10"	280	250	146	152	10	1	-	290,12
50600315	12"	315	300	163	168	10	1	-	350,25

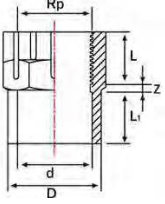
U-PVC Y.M. KÖRTAPA - U-PVC END CAP



Kod	Inch	Çap	DN	L	Z	Basınc	Koli Adet	Kg/Adet	Fiyat €
Code		Diameter	mm	mm	mm	PN	Pcs/Box	Kg/Pcs	Price €
51600020	½"	20	15	16	4	16	700	0,008	0,18
51600025	¾"	25	20	19	7	16	600	0,010	0,22
51600032	1"	32	25	22	10	16	350	0,024	0,28
51600040	1 ¼"	40	32	26	14	16	250	0,042	0,33
51600050	1 ½"	50	40	31	19	16	100	0,058	0,50
51600063	2"	63	50	38	26	16	100	0,080	0,60
51600075	2 ½"	75	65	44	32	16	60	0,178	1,02
51600090	3"	90	80	56	35	16	35	0,340	1,30
51600110	4"	110	100	61	49	16	25	0,340	1,90
51600125	4 ½"	125	110	72	54	16	15	0,460	3,10
51600140	5"	140	125	76	64	16	10	0,822	3,90
51600160	6"	160	150	86	74	16	8	1,160	7,10
51600200	7"	200	175	106	94	16	8	1,464	11,30
51600225	8"	225	200	119	107	10	6	2,316	19,00
51600250	9"	250	250	131	119	10	2	2,870	29,00
51600280	10"	280	250	146	134	10	2	4,810	41,00
51600315	12"	315	300	164	152	10	1	5,872	54,00

TEK TARAF İÇTEN DİŞLİ REDÜKSİYONLU ADAPTÖR
U-PVC FEMALE THREADED CAP

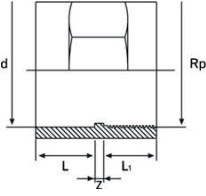
20-63



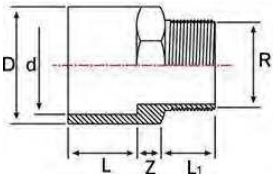
Kod	R	d	D	L	L1	Z	Basınc	Koli Adet	Kg/Adet	Fiyat €
Code	Inch	mm	mm	mm	mm	mm	PN	Pcs/Box	Kg/Pcs	Price €
51800020	1/2"	20	25	12	16	5,5	16	450	0,012	0,25
51800025	3/4"	25	32	16	22	1,5	16	240	0,024	0,28
51800032	1"	32	40	19	27	1,5	16	180	0,036	0,32
51800040	1 1/4"	40	50	22	27	5	16	80	0,060	0,60
51800050	1 1/2"	50	63	19	38	9,5	16	100	0,130	0,85
51800063	2"	63	75	24	39	6	16	75	0,160	1,20



75-250

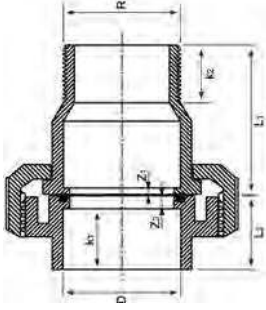


Kod	R	d	L	L1	Z	Basınc	Koli Adet	Kg/Adet	Fiyat €
Code	Inch	mm	mm	mm	mm	PN	Pcs/Box	Kg/Pcs	Price €
51800075	2 1/2"	75	44	32	7	16	75	0,230	1,85
51800090	3"	90	52	36	9	16	60	0,292	2,30
51800110	4"	110	61	40	9	16	18	0,446	3,70
51800125	4 1/2"	125	49	44	40	16	22	0,866	8,80
51800140	5"	140	75	44	40	16	16	1,060	9,43
51800160	6"	160	86	50	50	10	12	1,560	14,15
51800200	7"	200	106	55	50	10	4	2,346	36,21
51800225	8"	225	120	60	55	10	2	3,091	56,46
51800250	9"	250	131	60	55	10	2	3,900	67,01

U-PVC Y.M. DIŞTAN DİŞLİ REDÜKSİYONLU ADAPTÖR
U-PVC MALE THREADED REDUCER ADAPTOR

Kod	R	d	D	L	L1	Z	Basınc	Koli Adet	Kg/Adet	Fiyat €
Code	Inch	mm	mm	mm	mm	mm	PN	Pcs/Box	Kg/Pcs	Price €
52200020	1/2"	20	25	19	15	10	16	400	0,012	0,24
52200025	3/4"	25	32	22	16	11	16	250	0,021	0,30
52200032	1"	32	40	26	19	11	16	160	0,034	0,39
52200040	1 1/4"	40	50	31	21	14	16	120	0,060	0,70
52200050	1 1/2"	50	63	38	22	8	16	150	0,098	0,90
52200063	2"	63	75	44	27	9	16	100	0,152	1,35
52200075	2 1/2"	75	90	51	30	16	16	48	0,238	1,85
52200090	3"	90	110	61	33	20	16	27	0,436	3,15
52200110	4"	110	125	68	39	19	16	26	0,484	4,05

U-PVC POMPA RAKORU (DIŞ DIŞLI) - U-PVC MALE THREADED UNION



NO	Parça/Part	Hammadde Material	Adet Q'ty
1	Kole / End Connector	U-PVC	1
2	Conta / O-Ring	EPDM	2
3	Somun / Union Nut	U-PVC	1
4	Gövde / Body	U-PVC	1

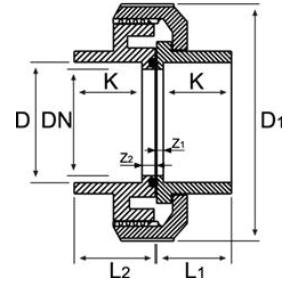
Kod	Inch	Çap	DN	D	L1	L2	Z1	Z2	K1	K2	Basınç	Koli Adet	Kg/Adet	Fiyat €
Code		Diameter	mm	mm	mm	mm	mm	mm	mm	mm	PN	Pcs/Box	Kg/Pcs	Price €
23000050	1 1/2"	50	40	50	81	45	6,0	14	31	22	16	50	0,236	4,10
23000063	1 1/2"x2"	50x63	50	63	61	55	6,5	24	38	22	16	30	0,376	4,90
23001063	2"	63	50	63	72	55	7,0	24	38	27	16	25	0,390	4,95



U-PVC YAPIŞTIRMA RAKOR - U-PVC UNION

NO	Parça/Part	Hammadde Material	Adet Q'ty
1	Kole / End Connector	U-PVC	1
2	Conta / O-Ring	EPDM	2
3	Somun / Union Nut	U-PVC	1
4	Gövde / Body	U-PVC	1

Kod	Inch	Çap	DN	D1	L1	L2	Z1	Z2	K	Basınç	Koli Adet	Kg/Adet	Fiyat €
Code		Diameter	mm	mm	mm	mm	mm	mm	mm	PN	Pcs/Box	Kg/Pcs	Price €
22700020	1/2"	20	15	54	19	25	3	9	16	16	125	0,046	1,35
22700025	3/4"	25	20	62	21	29	3	11	18	16	100	0,084	1,90
22700032	1"	32	25	64	25	32	3	11	22	16	50	0,122	2,60
22700040	1 1/4"	40	32	82	29	39	3	16	26	16	30	0,174	2,85
22700050	1 1/2"	50	40	92	34	45	3	14	31	16	45	0,266	3,90
22700063	2"	63	50	112	41	55	3	24	38	16	30	0,414	4,60
22700075	2 1/2"	75	65	130	47	53	3	9	44	16	18	0,648	12,00
22700090	3"	90	80	181	56	61	5	10	51	16	10	1,326	16,50
22700110	4"	110	100	210	65	71	5	10	60	16	7	1,710	21,50

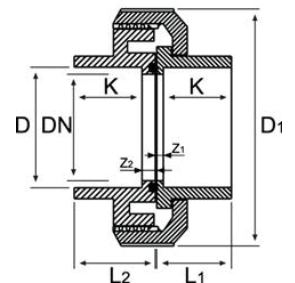


U-PVC TEK TARAF İÇTEN DİŞLİ RAKOR - U-PVC ONE SIDE FEMALE THREADED UNION

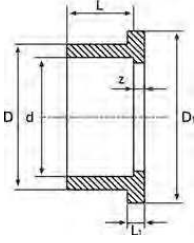


NO	Parça/Part	Hammadde Material	Adet Q'ty
1	Kole / End Connector	U-PVC	1
2	Conta / O-Ring	EPDM	2
3	Somun / Union Nut	U-PVC	1
4	Gövde / Body	U-PVC	1

Kod	Inch	Çap	DN	D1	L1	L2	Z1	Z2	K	Basınç	Koli Adet	Kg/Adet	Fiyat €
Code		Diameter	mm	mm	mm	mm	mm	mm	mm	PN	Pcs/Box	Kg/Pcs	Price €
22800020	1/2"	20	15	54	19	25	3	9	16	16	125	0,046	2,00
22800025	3/4"	25	20	62	21	29	3	11	18	16	100	0,084	2,60
22800032	1"	32	25	64	25	32	3	11	22	16	50	0,122	3,50
22800040	1 1/4"	40	32	82	29	39	3	16	26	16	30	0,174	3,80
22800050	1 1/2"	50	40	92	34	45	3	14	31	16	30	0,266	5,00
22800063	2"	63	50	112	41	55	3	24	38	16	30	0,414	6,00
22800075	2 1/2"	75	65	130	47	53	3	9	44	16	18	0,648	13,50
22800090	3"	90	80	181	56	61	5	10	51	16	10	1,326	18,00
22800110	4"	110	100	210	65	71	5	10	60	16	7	1,710	23,00

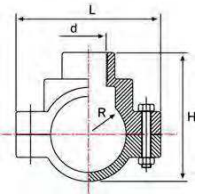


U-PVC Y. M. KOLE - U-PVC FLANGE ADAPTOR

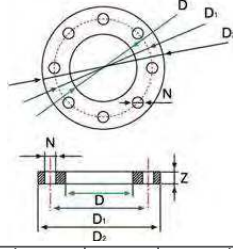


Kod	Inch	Çap	DN	D	D1	L	L1	Z	Basınç	Koli Adet	Kg/Adet	Fiyat €
Code		d	mm	mm	mm	mm	mm	mm	PN	Pcs/Box	Kg/Pcs	Price €
51200020	½"	20	15	27	34	16	7	3	16	750	0,008	0,55
51200025	¾"	25	20	33	41	19	7	3	16	450	0,014	0,55
51200032	1"	32	25	41	50	22	7	3	16	250	0,024	0,70
51200040	1 ¼"	40	32	50	61	26	8	3	16	150	0,038	0,79
51200050	1 ½"	50	40	60	73	35	8	3	16	160	0,064	0,79
51200063	2"	63	50	77	91	38	9	3	16	100	0,106	0,81
51200075	2 ½"	75	65	90	106	43	10	3	16	70	0,170	1,00
51200090	3"	90	80	107	125	51	11	5	16	85	0,234	1,30
51200110	4"	110	100	129	150	60	12	5	16	45	0,398	2,07
51200125	4 ½"	125	110	147	170	69	13	5	16	24	0,518	2,75
51200140	5"	140	125	164	188	75	14	5	16	18	0,772	3,60
51200160	6"	160	150	188	213	86	16	5	16	16	1,076	5,28
51200200	7"	200	175	230	255	106	18	6	16	7	1,224	7,42
51200225	8"	225	200	245	274	120	24	6	10	3	1,592	8,05
51200250	9"	250	250	269	303	131	20	9	10	4	2,146	33,00
51200280	10"	280	250	304	329	146	20	5	10	2	2,672	34,00
51200315	12"	315	300	341	346	164	20	8	10	2	3,646	49,50

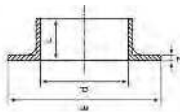
U-PVC PRIZ KOLE / U-PVC CLAMP SADDLE (4 BOLTS)



Kod	R	d	L	H	Basınç	Koli Adet	Kg/Adet	Fiyat €
Code	Inch	mm	mm	mm	PN	Pcs/Box	Kg/Pcs	Price €
5290040032	40	1"	74	82	16	50	0,250	1,03
5290050032	50	1"	84	85	16	40	0,271	1,16
5290050032	63	1"	120	106	16	30	0,550	3,70
5290075032	75	1"	133	118	16	30	0,630	4,95
5290090032	90	1"	148	140	16	24	0,750	6,62
5290110032	110	1"	170	160	16	15	0,950	8,30

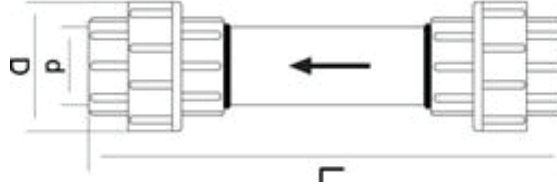

U-PVC Y.M. SERBEST FLANŞ
U-PVC FLANGE

Kod	Inch	Çap	DN	D	D1	D2	N	Z	Basınç	Koli Adet	Kg/Adet	Fiyat €
Code		d	mm	mm	mm	mm	mm	mm	PN	Pcs/Box	Kg/Pcs	Price €
51300020	1/2"	20	15	28	65	96	14	11	16	150	0,088	1,15
51300025	3/4"	25	20	34	75	105	14	12	16	100	0,108	1,15
51300032	1"	32	25	42	85	115	14	14	16	80	0,158	1,30
51300040	1 1/4"	40	32	51	100	140	14	15	16	50	0,240	1,50
51300050	1 1/2"	50	40	62	110	150	18	16	16	48	0,236	1,50
51300063	2"	63	50	78	125	165	18	18	16	25	0,308	1,65
51300075	2 1/2"	75	65	92	145	185	18	20	16	40	0,420	2,15
51300090	3"	90	80	111	160	200	18	22	16	35	0,528	2,40
51300110	4"	110	100	133	180	220	18	24	16	22	0,622	2,55
51300125	4 1/2"	125	110	150	210	250	18	26	16	18	0,822	3,39
51300140	5"	140	125	167	210	250	18	26	16	18	0,712	3,35
51300160	6"	160	150	193	250	285	18	28	16	14	1,052	4,50
51300200	7"	200	200	234	295	340	22	32	16	8	1,518	8,68
51300225	8"	225	200	257	295	340	22	32	10	8	1,174	8,68
51300250	9"	250	250	278	350	395	22	36	10	7	2,124	42,00
51300280	10"	280	250	310	350	395	22	36	10	7	1,550	33,60
51300315	12"	315	300	348	400	445	22	36	10	7	1,950	42,63

U-PVC BETON GEÇİŞ FLANŞI- U-PVC WALL CROSS FLANGE


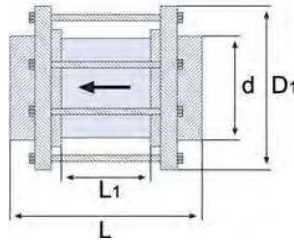
Kod	d	DN	E	L	Z	Basınç	Koli Adet	Kg/Adet	Fiyat €
Code	Inch	mm	mm	mm	mm	PN	Pcs/Box	Kg/Pcs	Price €
51500050	1 1/2"	50	40	80	26	4	200	0,030	0,25
51500063	2"	63	50	96	30	4	125	0,044	0,30
51500075	2 1/2"	75	63	111	30	4	90	0,056	0,45
51500090	3"	90	75	129	30	5	100	0,070	0,60
51500110	4"	110	90	149	30	5	80	0,076	0,68
51500125	4 1/2"	125	110	164	31	5	35	0,096	0,98
51500140	5"	140	125	180	31	5	33	0,110	1,00
51500160	6"	160	140	199	31	5	50	0,102	1,15

U-PVC GÖZETLEME CAMI - U-PVC INSPECTION GLASS



Kod	Inch	Çap	DN	D	L	Basınç	Koli Adet	Kg/Adet	Fiyat €
Code		Diameter	mm	mm	mm	PN	Pcs/Box	Kg/Pcs	Price €
23100025	¾"	25	20	57	210	10	100	0,180	16,80
23100032	1"	32	25	67	230	10	50	0,314	18,20
23100040	1 ¼"	40	32	82	250	10	50	0,490	19,60
23100050	1 ½"	50	40	88	280	10	30	0,532	21,00
23100063	2"	63	50	107	315	10	25	0,898	23,80
23100075	2 ½"	75	65	131	320	10	10	1,534	60,20
23100090	3"	90	80	147	345	10	5	1,914	81,20
23100110	4"	110	100	176	422	10	2	3,968	89,60

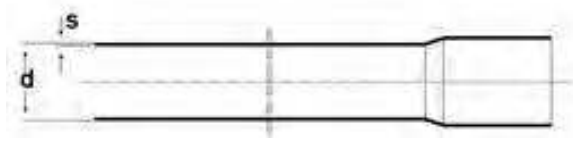
U-PVC GÖZETLEME CAMI (FLANŞLI) - U-PVC INSPECTION GLASS WITH FLANGE



Kod	Inch	Çap	DN	D1	L	L1	Basınç	Koli Adet	Kg/Adet	Fiyat €
Code		Diameter	mm	mm	mm	mm	PN	Pcs/Box	Kg/Pcs	Price €
2310125	4 ½"	125	110	250	254	110	10	1	6,290	112,00
2310140	5"	140	125	250	265	110	10	1	6,750	126,00
2310160	6"	160	150	285	315	110	10	2	10,762	189,00
2310200	7"	200	175	340	315	80	10	1	14,500	224,00
2310225	8"	225	200	340	315	80	10	1	14,750	266,00



U-PVC BORULAR - U-PVC PIPES



Kod	d		S (Et Kalınlığı) mm	Basınç	Muflu Ağırlık Kg/mt	Fiyat TL/m
Code	Inch	mm	Wall Thickness (mm)	PN	Unit Weight Kg/mt	Price TL/m
10016020	½"	20	1,4	16	0,160	14,50
10010025	¾"	25	1,5	10	0,165	17,35
10010032	1"	32	1,6	10	0,241	25,30
10010040	1¼"	40	1,9	10	0,353	37,10
10010050	1½"	50	2,4	10	0,561	58,90
10010063	2"	63	3,0	10	0,871	91,50
10010075	2½"	75	3,6	10	1,245	130,75
10010090	3"	90	4,3	10	1,784	187,35
10010110	4"	110	4,2	10	2,160	223,35
10010125	4½"	125	4,8	10	2,782	292,10
10010140	5"	140	5,4	10	3,512	368,75
10010160	6"	160	6,2	10	4,607	483,75
10010200	7"	200	7,7	10	7,123	747,95
10010225	8"	225	8,6	10	8,957	940,50
10010250	9"	250	9,6	10	11,119	1168,00
10010280	10"	280	10,7	10	14,007	1470,00
10010315	12"	315	12,1	10	17,404	1828,00

YAPIŞTIRICILAR - U-PVC CEMENTS



Kod / Code	Açıklama / Description	Birim / Unit (Kg)	Fiyat / Price €/kg
SPPYAP2	SPP Tixo Pvc Yapıştırıcı	0,5	11,00
SPPYAP1	SPP Tixo Pvc Yapıştırıcı	1	17,00
12300003	3 mm Pvc Kaynak Çubuğu	1	17,00
12300004	4 mm Pvc Kaynak Çubuğu	1	17,00
12300005	5 mm Pvc Kaynak Çubuğu	1	17,00
12300006	6 mm Pvc Kaynak Çubuğu	1	17,00
12300007	7 mm Pvc Kaynak Çubuğu	1	17,00
12300008	8 mm Pvc Kaynak Çubuğu	1	17,00
12300009	9 mm Pvc Kaynak Çubuğu	1	17,00