

POLYESTER HAVUZLAR *POLYESTER POOLS*



3,5x7x1,4 ve 3x6x1,4 POLYESTER HAVUZ - 3,5x7x1,4 and 3x6x1,4 POLYESTER POOL

KULLANILMASI GEREKEN EKİPMANLAR
Havuz İçi Ekipmanlar (Swim-up equipments)
Liner yandan besi nozulu = 3 adet, Liner vakum nozulu = 1 adet, Liner yuvarlak dip emiş = 1 adet, Mini skimmer = 2 adet, Power Led Beyaz Kovanlı Liner lamba 2 adet, <i>Side inlet nozzle with threaded = 3 pcs, Liner vacuum nozzle = 1 pcs, Circular drain gratings(liner type) = 1 pcs, Mini skimmer = 2 pcs, High power led with case while light = 2 pcs,</i>
Makine Dairesi Ekipmanları (Engine Room equipments)
650 mm Plastik filtre = 1 Ad, 0,5-1 Kuartz kum = 75 kg, 1-3 Kuartz kum = 50 kg, 3-5 Kuartz kum = 25 kg, 1 hp Smp pompa monofaze = 1 adet, Mini polyester pompa sehпасı = 1 adet, Monofaze kumanda panozu = 1 adet, 100w 12v trafo = 1 adet, Boru, vana ve fittings = 1 grup, Spp PVC Yapıştırıcı = 1 adet, Polyester makine dairesi = 1 adet <i>650 mm Plastic filter = 1 pcs, 0,5-1 Quartz Sand = 75 kg, 1-3 Quartz Sand = 50 kg, 3-5 Quartz sand = 25 kg, 1 hp Smp Single phase pump = 1 pcs, mini polyester pump stand = 1 pcs, Single phase control panel = 1 pcs, 100w 12v transformer = 1 pcs, Pipes, valve and fittings = 1 grup, Spp PVC cement = 1 pcs, Polyester engine oom = 1 pcs</i>

2x4x1,2 ve 2,5x5x1,4 m POLYESTER HAVUZ - 2x4x1,2 and 2,5 x 5 x 1,4 m POLYESTER POOL

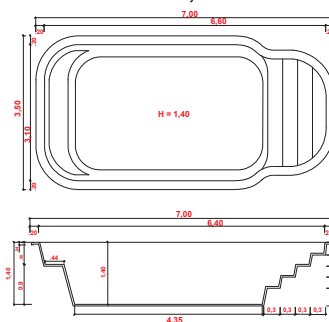
KULLANILMASI GEREKEN EKİPMANLAR
Havuz İçi Ekipmanlar (Swim-up equipments)
Liner yandan besi nozulu = 2 adet, Liner vakum nozulu = 1 adet, Liner yuvarlak dip emiş = 1 adet, Mini skimmer = 1 adet, Liner Power Led Beyaz Kovanlı lamba 2 adet, <i>Side inlet nozzle with threaded = 2 pcs, Liner vacuum nozzle = 1 pcs, Circular drain gratings(liner type) = 1 pcs, Mini skimmer = 1 pcs, High power led light with case = 2 pcs,</i>
Makine Dairesi Ekipmanları (Engine Room equipments)
500 mm Plastik filtre = 1 Ad, 0,5-1 Kuartz kum = 50 kg, 1-3 Kuartz kum = 25 kg, 3-5 Kuartz kum = 25 kg, 0,75 hp Smp pompa monofaze = 1 adet, Polyester pompa sehпасı = 1 adet, Polyester Makine Dairesi = 1 adet, Monofaze kumanda panosu = 1 adet, 100w 12v trafo = 1 adet, Boru, vana ve fittings = 1 grup, Spp PVC yapıştırıcı = 1 adet <i>500 mm Plastic filter = 1 pcs, 0,5-1 quartz sand = 50 kg, 1-3 quartz sand = 25 kg, 3-5 quartz sand = 25 kg, 0,75 hp Smp single phase pump = 1 pcs, Polyester pump stand= 1 pcs, Polyester Engine room = 1 pcs, Single phase control panel = 1 pcs, 100w 12v transformer = 1 pcs, pipes, valve and fittings = 1 group, Spp PVC cement = 1 pcs</i>

* Makine dairesi ve Havuz ekipmanları, nakliye, hafriyat ve montaj fiyata dahil değildir.

Amaralina (7,00 m x 3,50 m x 1,40 m)



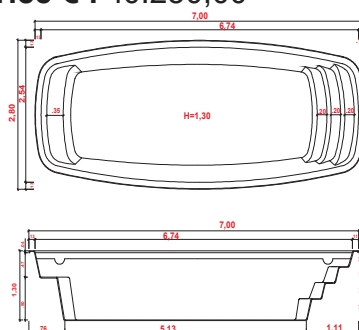
Fiyat /Price € : 13.700,00



Kapalua (7,00 m x 2,80 m x 1,30 m)



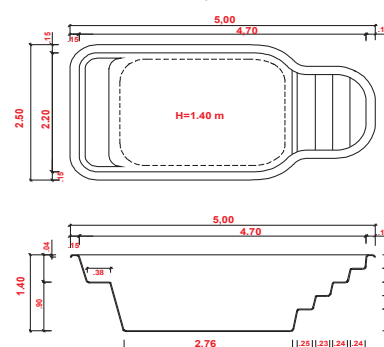
Fiyat /Price € : 10.250,00



Atlantida (5,00 m x 2,50 m x 1,40 m)



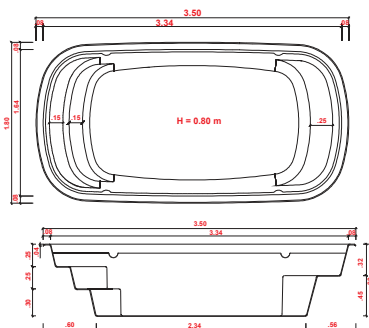
Fiyat /Price € : 7.650,00



Hulopoe (3,50 m x 1,80 m x 0,80 m)



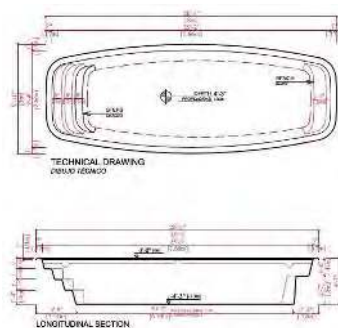
Fiyat /Price € : 2.930,00



Oneloa (8,00 m x 3,00 m x 1,30 m)



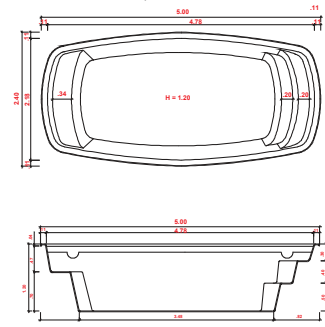
Fiyat /Price € : 12.700,00



Ke'e (5,00 m x 2,40 m x 1,20 m)



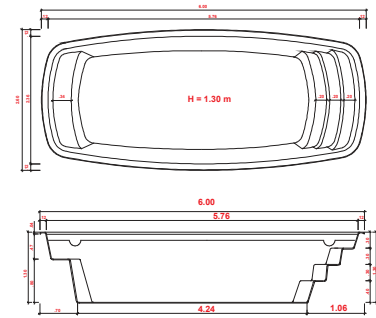
Fiyat /Price € : 6.100,00



Waikiki (6,00 m x 2,60 m x 1,30 m)



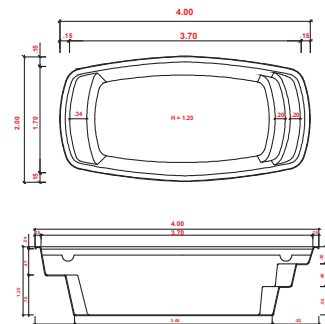
Fiyat /Price € : 8.120,00



Kaanapali (4,00 m x 2,00 m x 1,20 m)

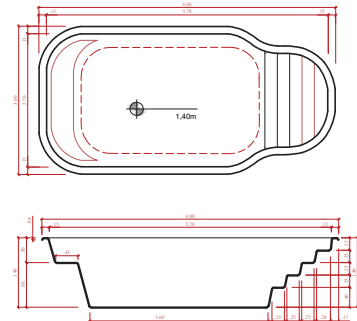


Fiyat /Price € : 3.920,00



Farol da Barra (6,00 m x 3,00 m x 1,40 m)

Fiyat /Price € : 9.800,00



Imbe (4,00 m x 2,00 m x 1,00 m)

Fiyat /Price € : 5.400,00

